

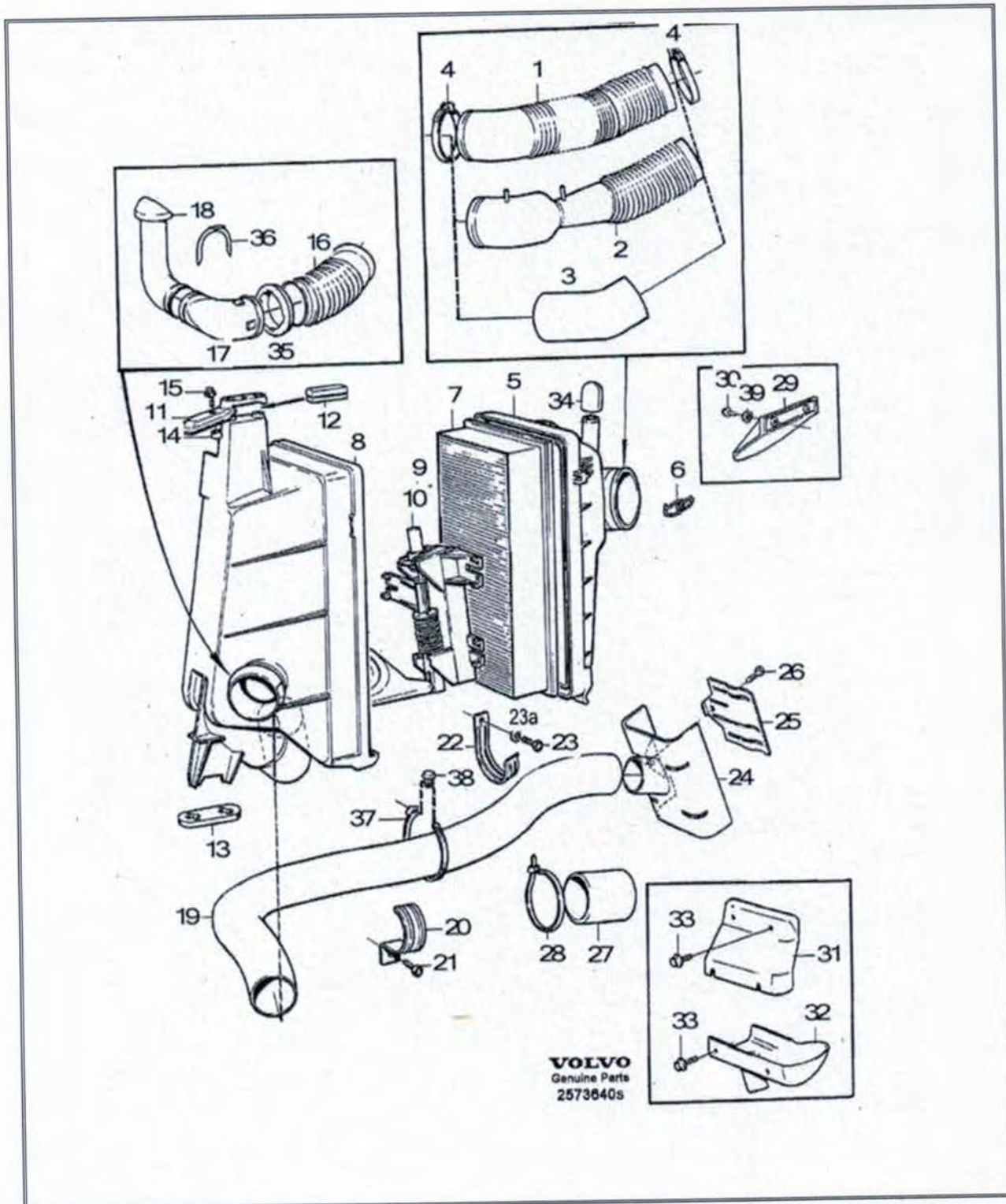
25 : Air cleaner B200F, B200F

240, 1992, B200F, M47, L.H.D, YV1245273N1918729, 918729

28/7/2015



PRINT



VOLVO
Genuine Parts
2573640s

Fig.	Description	Qty.	PS	Part number
2	Fresh air hose Fuel system B230F/FD/FX	1.00		

		Fresh air hose Fuel system B200F	1.00	
	3	Pipe elbow	1.00	1317032
		Fresh air hose Fuel system B230F/FD/FX	1.00	
		Fresh air hose Fuel system B200F	1.00	
	4	Hose clamp	3.00	983597
	5	Filter cover -1992, , REPL 1PCS 9135510-7,, , 1PCS 3547763-7., With air pre heating	1.00	1266791
		Filter cover	1.00	9135510
	6	• Clamp	2.00	1257376
	7	Filter insert	1.00	463505
		Filter insert, key dusty conditions Not standard equipment,service alternative.	1.00	OP 1326352
	8	Filter housing	1.00	1336925
	9	Control mechanism	1.00	1357363
	10	• Thermostat	1.00	1266826
	11	Bracket	1.00	1336642
	12	Bushing	1.00	1357574
	13	Bushing	1.00	1336641
	14	Spacer sleeve	1.00	986565
	15	Flange screw	1.00	982758
	16	Inlet hose	1.00	1276669
	17	Grommet	1.00	1306140
	18	Air inlet	1.00	1306688
	19	Hose LG 920 mm, , 4DRS CH -469996. 5DRS CH -926626.	x	946841
		Hose 4DRS CH 469997-, 5DRS CH 926627-	1.00	9135184
	20	Clamp -1990	1.00	948261
	22	Clamp R.H.D	1.00	1266979
	23	Hexagon screw R.H.D	1.00	986965
		Flange screw R.H.D	1.00	982758
	23a	Washer	1.00	986478
	29	Protecting plate	1.00	1276833
	30	Six point socket screw REPL 1PCS 969278-1, , REPL 1PCS 986114, 1PCS 986498, , 1PCS 960138., , (965395)	2.00	972079
		Six point socket screw	2.00	986114
	31	Pre-heating plate	1.00	3501225
	32	Pre-heating plate (3514443), , 4DRS CH -486026. 5DRS CH -954612., , 4DRS CH 486027-, 5DRS CH 954613-	1.00	9131988
	33	Flange screw	4.00	982791
	34	Cap 1993-, EXC B230FD	1.00	3547763
	35	Grommet	1.00	1367750
	36	Clip	1.00	1367751
	37	Cable tie	1.00	948211

<input type="checkbox"/>	38	Retainer	1.00	1274249
<input type="checkbox"/>	39	Washer	2.00	986498

28/7/2015

PRINT

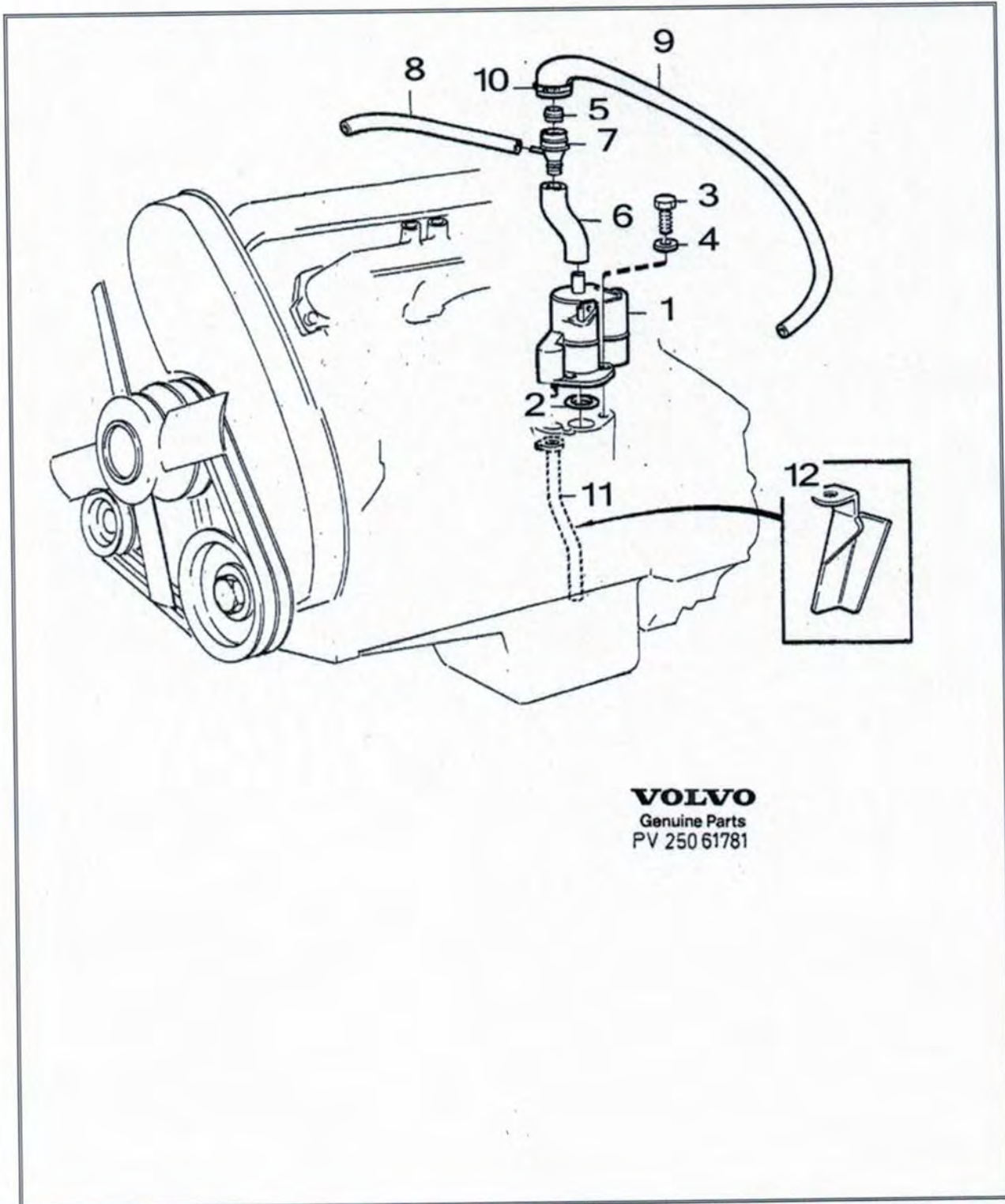
25 : Crankcase ventilation B200F,B230F/FD/FX ALT.1, B200F

240, 1992, B200F, M47, L.H.D, YV1245273N1918729, 918729

28/7/2015



PRINT



VOLVO
Genuine Parts
PV 250 61781

Fig.	Description	Qty.	PS	Part number
1	Oil trap	1.00		3501160
2	O-ring	1.00		949659
3	Hexagon screw	2.00		986985

		(955296)		
<input type="checkbox"/>	4	Washer	2.00	986481
<input type="checkbox"/>	5	Flame shield (463835)	1.00	1389657
<input type="checkbox"/>	6	Hose	1.00	3501708
<input type="checkbox"/>	7	Nipple	1.00	3501707
<input type="checkbox"/>	8	Hose, by the meter (1306703), LG 200 mm	x	976734
<input type="checkbox"/>	9	Hose (3517249)	1.00	3507245
<input type="checkbox"/>	10	Hose clamp (975278)(946308)	1.00	976561
<input type="checkbox"/>	11	Hose	1.00	1306196
<input type="checkbox"/>	12	Bracket	1.00	1306981

28/7/2015

PRINT

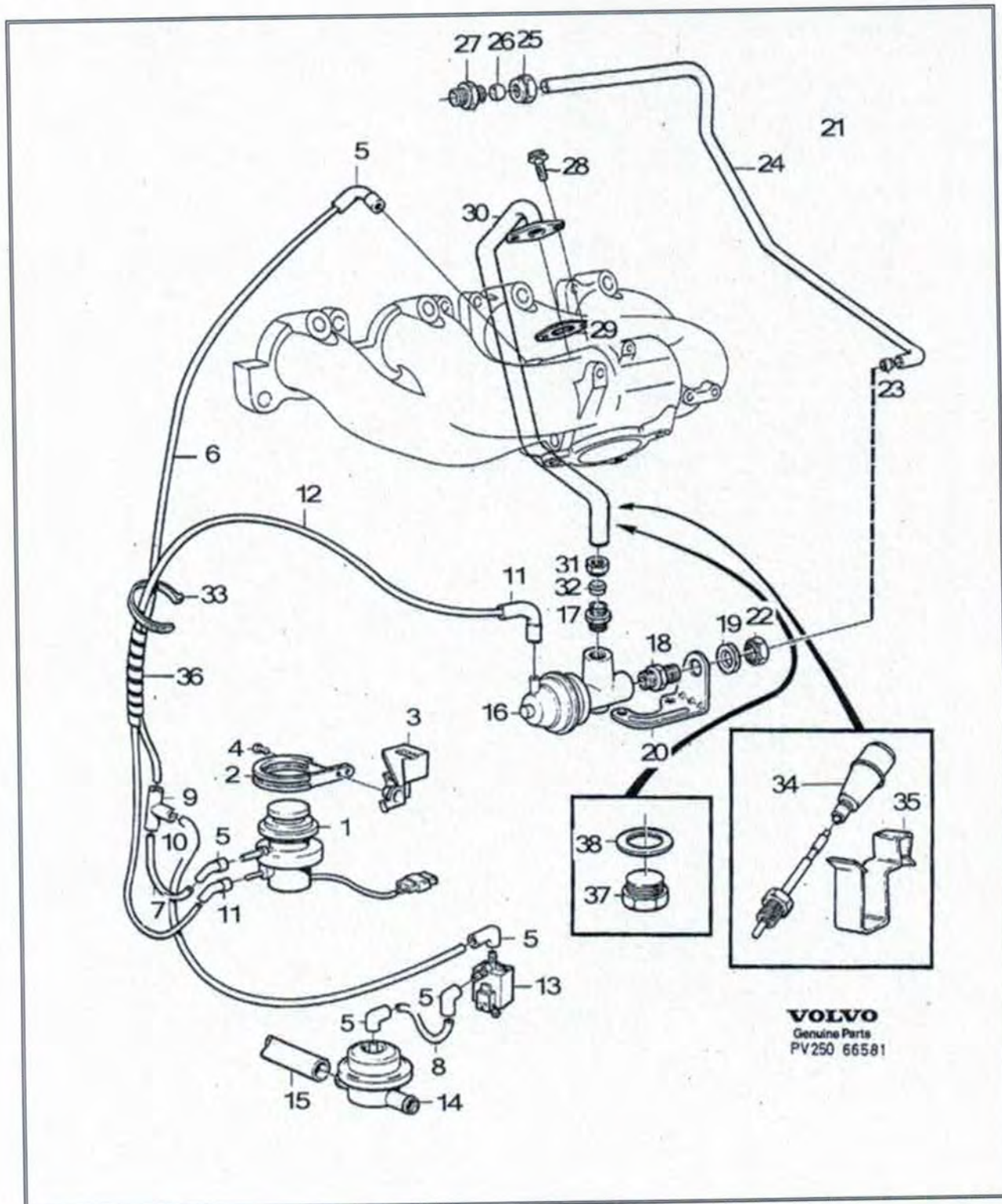
25 : Exhaust gas recirculation

240, 1992, B200F, M47, L.H.D, YV1245273N1918729, 918729

28/7/2015



PRINT



VOLVO
Genuine Parts
PV250 66581

Fig.	Description	Qty.	PS	Part number
1	Vacuum booster	1.00		3531138
2	Clamp	1.00		3517257

REPL 1PCS 9146552, 1PCS 986113.				
3	Bracket -1992	1.00		9131759
	Retaining clip 1993-	1.00		3540142
4	Six point socket screw	1.00		986106
	Six point socket screw FOR 3517257-6 (969473)	1.00		986160
5	Connector (1332456)	x		3534790
6	Tube, white, by the meter LG 570 mm	x		967563
7	Tube, white, by the meter LG 140 mm	x		967563
8	Tube, violet, by the meter LG 80 mm	x		967660
9	Connector	1.00		1332457
10	Tube, white, by the meter LG 370 mm	x		967563
11	Connector (1332456)	2.00		3534790
12	Tube, yellow, by the meter LG 650 mm	x		966726
13	Solenoid valve	1.00	OP	3507333
14	Valve	1.00		3507160
15	Hose Pulse air system B230K	1.00		
	Hose Pulse air system B200E	1.00		
	Hose Pulse air system B200K	1.00		
	Hose Pulse air system B230E	1.00		
	Hose Pulse air system B230FD	1.00		
16	EGR valve, exch	1.00	EU	36000968
17	Nipple, outlet	1.00		1218618
18	Nipple, inlet	1.00		1218615
19	Hexagon nut	1.00		957019
20	Bracket	1.00		3517361
21	Pipe	1.00		3507657
22	• Fitting nut	1.00		987589
23	• Ferrule	1.00		987578
24	• Pipe	1.00	NS	
25	• Fitting nut	1.00		987589
26	• Ferrule	1.00		987578
27	Nipple	1.00		3517097
28	Flange screw (948746)	2.00		982757
29	Gasket	1.00		1378488
30	Pipe	1.00		3507659
31	• Fitting nut	1.00		987589
32	• Ferrule	1.00		987578
33	Cable tie	2.00		948211

<input type="checkbox"/>	34	Temperature sensor	1.00	9135404
<input type="checkbox"/>	35	Bracket	1.00	3517907
<input type="checkbox"/>	36	Cable spiral LG 170 mm	x	1346888
<input type="checkbox"/>	37	Plug For vehicles with the temperature sensor fitted in the EGR-pipe., Service version.	1.00	986826
<input type="checkbox"/>	38	Gasket For vehicles with the temperature sensor fitted in the EGR-pipe., Service version.	1.00	947281

28/7/2015

PRINT

25 : Exhaust system B200F,B230F/FD/FX 4DRS CH APP 454201-, 5DRS CH APP 907401-, B200F, 5DRS W/O S.R

240, 1992, B200F, M47, L.H.D, YV1245273N1918729, 918729

28/7/2015



PRINT

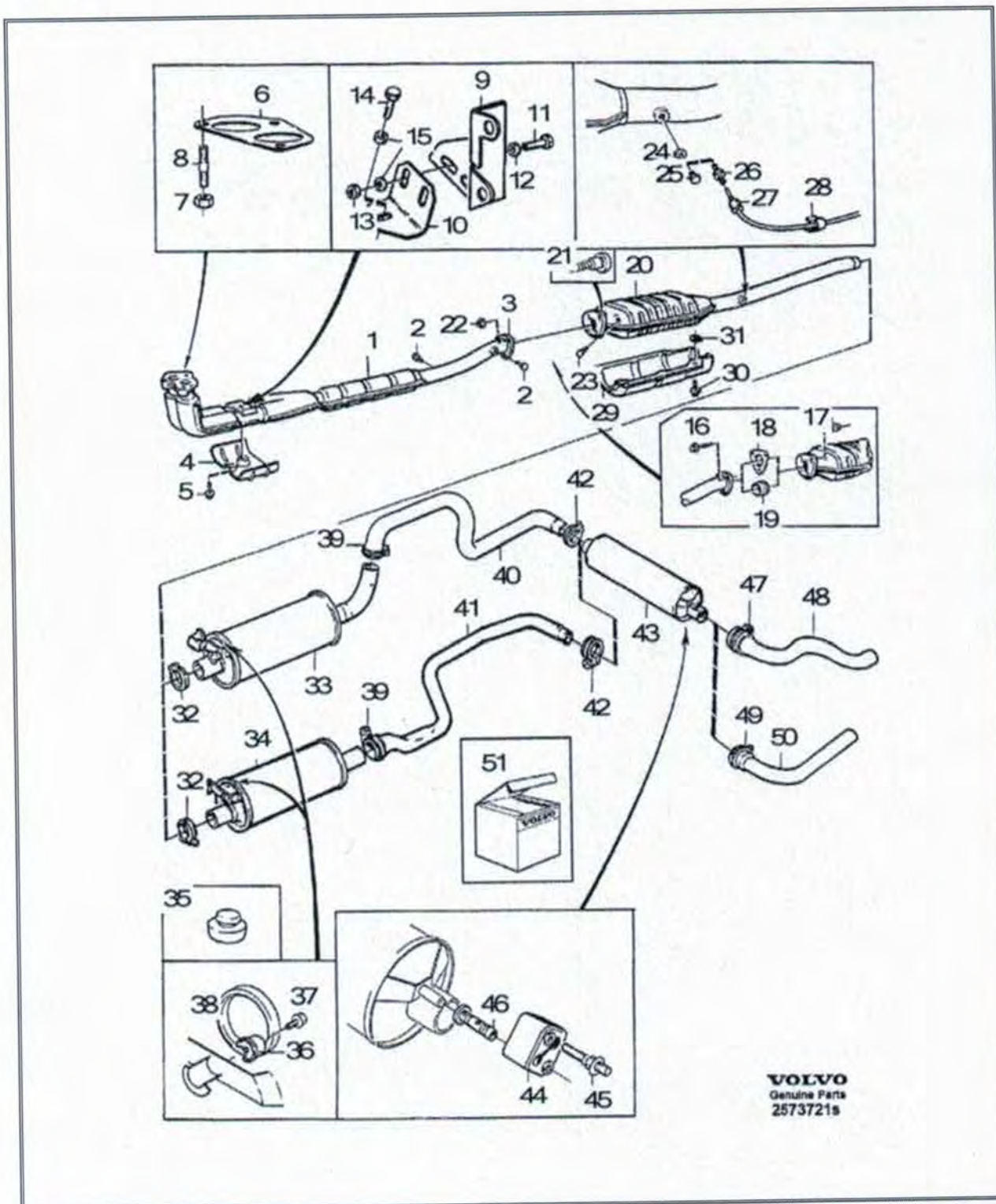


Fig.	Description	Qty.	PS	Part number
1	Exhaust pipe, front EXC B230FD (3531403), , REPL 1PCS 3536202-9	1.00		3507824
	Exhaust pipe	1.00		3536202

EXC B230FD			
1	Exhaust pipe, front B230FD, , REPL 1PCS 3514145-6.	1.00	3507830
2	Exhaust pipe B230FD	1.00	3514145
3	• Plug	1.00	948404
3	• Flange For exhaust system where the front pipe is joined to the catalytic converter via separate flanges.	1.00	1276031
4	Protecting plate (AU)	1.00	3514972
5	Flange screw (AU)	1.00	982791
6	• Gasket	1.00	3531326
7	• Flange lock nut (1378511)	3.00	977211
8	Stud	3.00	977581
9	Bracket	1.00	1346299
10	Bracket	1.00	1357002
11	Hexagon screw	2.00	986985
12	Washer (960141)	2.00	986501
13	Hexagon nut	2.00	985877
14	Flange screw (949734)(955294)	1.00	982793
15	Washer (960141)	3.00	986501
16	Flange screw, Welded flange EXC (DK), (FI), (NO), (SE)	3.00	985187
17	Flange lock nut, Welded flange	3.00	985868
18	Gasket, Welded flange EXC (DK), (FI), (NO), (SE)	1.00	1378872
19	Sealing ring, Welded flange (DK), (FI), (NO), (SE)	1.00	1266118
20	Three-way catalytic converter EXC (AU), (JP) EXC B230FD	1.00	3531257
	Catalytic converter (AU), (JP) EXC B230FD, , REPL 1PCS 3507758-5, 1PCS 3507824-5, 1PCS 977581-8., , REPL 1PCS 3507758-5, , 1PCS 3507824-5, , 1PCS 977581-8.	1.00	3547562
	Three-way catalytic converter EXC B230FD	1.00	3507758
	Three-way catalytic converter B230FD	1.00	3501957
21	Press screw	3.00	1276215
22	Flange lock nut	3.00	985868
23	Plug	1.00	968144
24	Gasket	1.00	11998
25	Plug	1.00	986817
26	Nipple (JP)	1.00	941748
27	Temperature sensor (JP)	1.00	3531043
28	Retaining clip (JP), , (1312262)	1.00	9151452
29	Protecting plate (AU), (JP)	1.00	3547567

30	Sems screw (AU), (JP), , REPL 1PCS 985744, 1PCS 986500	4.00	946485
31	Spring nut (AU), (JP)	4.00	1255989
32	Clamp (968354)	1.00	975259
33	Silencer, centre EXC (AU), (JP)	1.00	1357067
34	Silencer, centre (AU), (JP)	1.00	1378297
35	Rubber cushion	1.00	1272596
36	Retainer	2.00	1273182
37	Flange screw	2.00	988177
38	Rubber ring	2.00	666407
39	Clamp (969154)	1.00	976587
40	Exhaust pipe B200/230F, B230FD, , EXC (AU), (JP), , (1357758)	1.00	1219271
	Exhaust pipe B230FX	1.00	3547372
41	Exhaust pipe (AU), (JP), , (1378364)(1378365)	1.00	1336286
42	Clamp EXC B230FX, , (968353)	1.00	976472
	Clamp B230FX	1.00	975261
43	Silencer, rear B200/230F, B230FD	1.00	1357065
	Silencer, rear B230FX	1.00	1306192
44	Shackle	2.00	1206468
45	Screw with pin	2.00	1228280
46	Protecting sleeve	2.00	1229342
47	Clamp (969154),EXC B230FX	1.00	976587
	Clamp B230FX	1.00	975262
48	Exhaust pipe 1990- B200/230F,B230FD, , (3514860)	1.00	1357982
	Exhaust pipe B230FX EXC (AU), (JP)	1.00	1378215
	Exhaust pipe B230FX (AU), (JP), , (3514860)	1.00	1357982

28/7/2015

PRINT

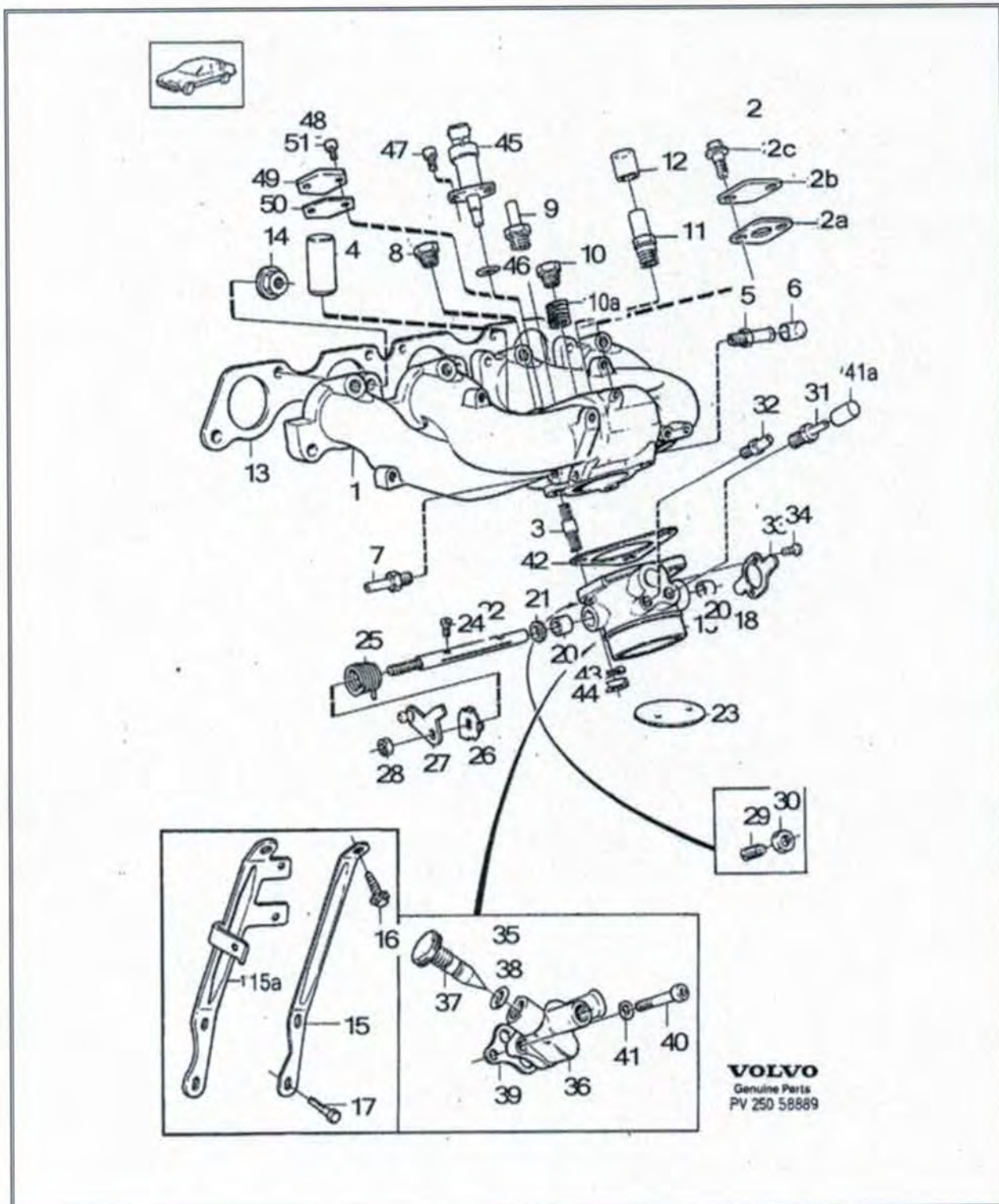
25 : Inlet manifold valve housing B200F, B200F

240, 1992, B200F, M47, L.H.D, YV1245273N1918729, 918729

28/7/2015



PRINT



VOLVO
Genuine Parts
PV 250 58889

Fig.	Description	Qty.	PS	Part number
1	Inlet pipe 240 4DRS CH 334100-, 240 5DRS CH 809000-, , REPL 1PCS 1357783-8, 1PCS 271658-7, 1PCS 271418-6., , REPL 1PCS 1357783-8,, 1PCS 271658-7,, 1PCS 271418-6.	1.00		1357784

	Inlet pipe	1.00		1357783
2	Service kit	1.00		271658
2a	• Gasket	1.00		1378488
2b	• Cover washer	1.00	NS	
2c	• Flange screw (948746)	2.00		982757
3	Stud	3.00		953044
4	Nipple -1991	1.00		1326627
	Nipple 1992-	1.00		1306732
5	Nipple	1.00		986834
6	Plug	1.00	OP	948990
7	Nipple	1.00		1276445
8	Nipple	1.00		943513
9	Nipple	1.00		1276445
10	Plug	1.00		191026
10a	Thread insert	1.00		961575
11	Nipple -1991	1.00		1266539
	Nipple 1992-	1.00		943513
12	Plug	1.00	OP	943835
13	Gasket	1.00	IK	1378879
14	Flange nut	8.00		985921
15a	Stay 240 4DRS CH 334100-, 240 5DRS CH 809000-	1.00		9135013
17	Screw Engine with fittings B200	1.00		
	Screw Engine with fittings B230	1.00		
18	Shutter housing	1.00	NS	
19	• Throttle housing (3517479), , 240 4DRS CH 334100-, 240 5DRS CH 809000-, , LH 2.4, , REPL 1PCS 3517481-2., , LH 3.1, , REPL 1PCS 3514741-2.	1.00		3507443
	Throttle housing	1.00	OP	3517481
20	• • Bearing bushing	2.00		942593
21	• Sealing ring	1.00	IK	419568
22	• Shutter shaft	1.00	OP	1326015
23	• Throttle disc	1.00		3501595
24	• Screw	2.00		943781
25	• Spring	1.00		1266710
26	• Spring retainer	1.00		1266711
27	• Intermediate lever (1332286)	1.00		3547089
28	• Lock nut	1.00		985887
29	• Set screw	1.00		987280
30	• Hexagon nut	1.00		985875
31	• Nipple	1.00		948040
32	• Nipple	1.00		946600
33	• Bracket	1.00		1326016
34	• Cross recessed sunk screw	2.00		956162

■	35	•	Valve housing	1.00		1336085
■	36	••	Valve housing	1.00	NS	
■	37	••	Idle screw	1.00		1219554
■	38	••	O-ring	1.00	IK	947114
■	39	•	Gasket	1.00	IK	463766
■	40	•	Hex. socket screw	2.00		959190
■	41	•	Spring washer	2.00		986650
■	41a		Plug	1.00	OP	949046
■	42		Gasket	1.00	IK	1271488
■	43		Spring washer	3.00		986654
■	44		Hexagon nut	3.00		985877
■	45		Starter valve	1.00	OP	3517130
			-1990, , 240 4DRS CH 334100-, 240 5DRS CH 809000-			
■			Starter valve	1.00		3531228
			1991-			
■	46		O-ring	1.00		949761
			240 4DRS CH 334100-, 240 5DRS CH 809000-			
■	47		Hex. socket screw	2.00		986871
			(966802)			

28/7/2015

PRINT