

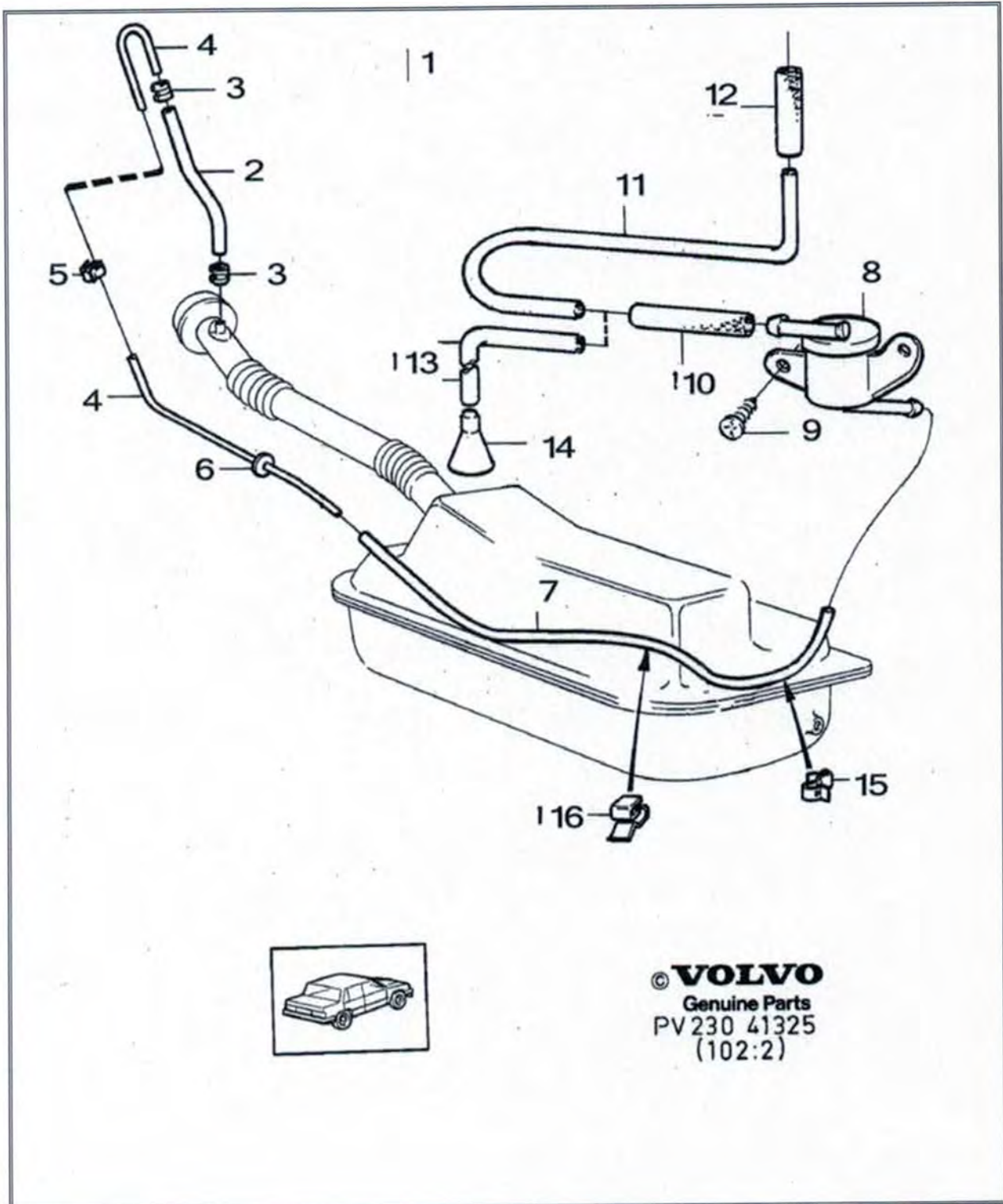
23 : Balancing system for fuel tanks 5DRS, 5DRS W/O S.R

240, 1992, B200F, M47, L.H.D, YV1245273N1918729, 918729

28/7/2015



PRINT



© **VOLVO**
Genuine Parts
PV230 41325
(102:2)

Fig.	Description	Qty.	PS	Part number
1	Equalizing system, complete	1.00	NS	
2	Hose, by the meter	x		976735

		(1304278), , LG 300 mm			
■	3	• Hose clamp	2.00		1211392
■	4	• Equalizing pipe	1.00		3517927
■	5	• Retainer	1.00	OP	9131824
■	6	• Grommet	1.00		1221779
■	7	• Hose, by the meter	x		976735
		(1336649) LG 800 mm			
■	8	• Roll-over valve	1.00		1255422
■	9	• Flange screw	2.00		985744
		(190364)			
■	10	• Hose, by the meter	x		976735
		(1304278) LG 50 mm			
■	11	• Hose	1.00		976735
		B230K, B230F, , (3517917), With fuel evaporite control.			
■	12	• Hose, by the meter	x		976735
		(1304278) LG 50 mm			
■	13	• Equalizing pipe	1.00		3517913
		B200K, B230K, Without fuel evaporite control.			
■		• Equalizing pipe	1.00		3517915
		D24			
■	14	• Funnel	1.00		1389733
■	15	• Clip	1.00		3501549
■	16	• Retainer	1.00	OP	9131824

28/7/2015

PRINT

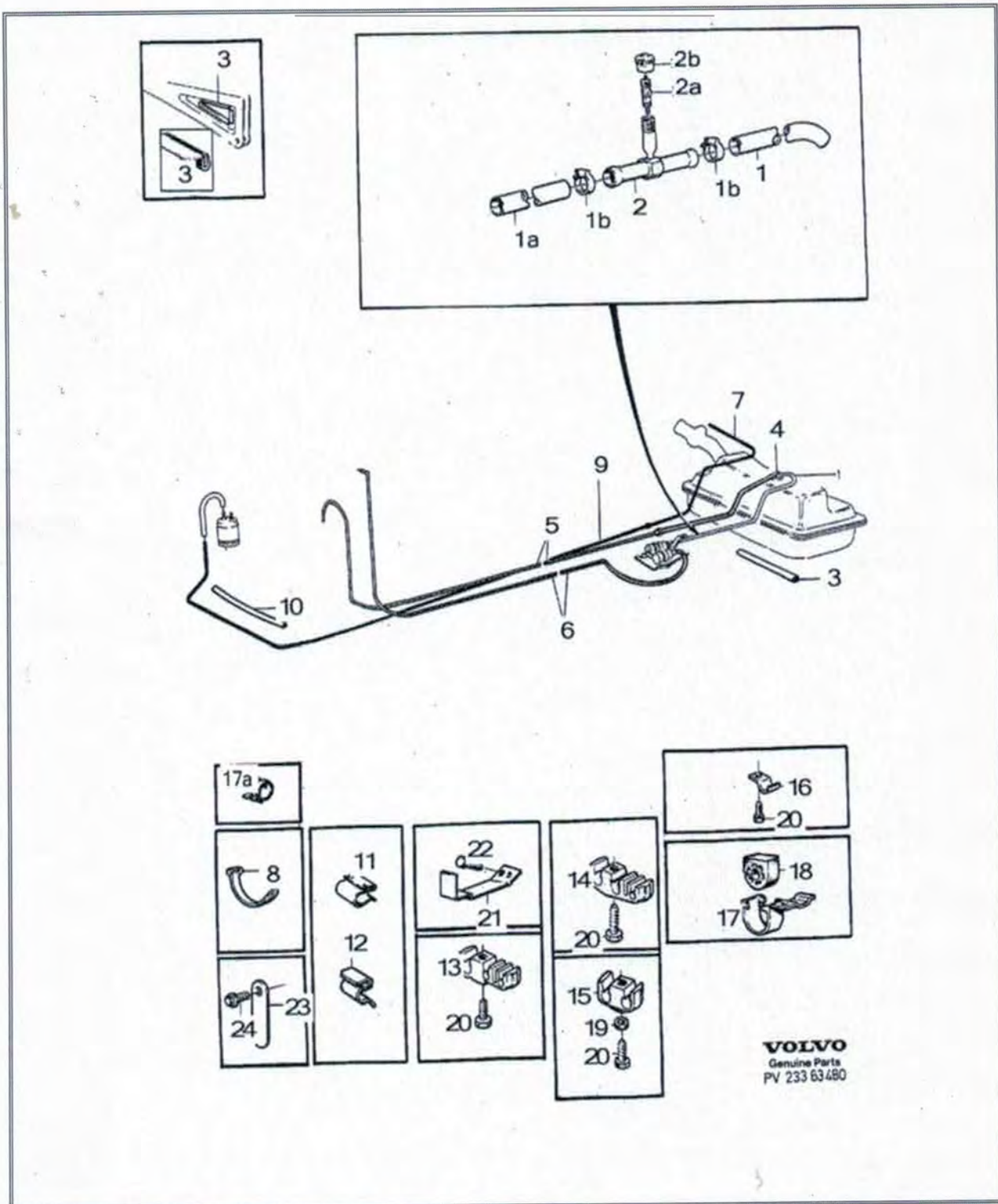
23 : Fuel lines from tank to engine B200/230F, B230FD/FX, B200F

240, 1992, B200F, M47, YV1245273N1918729, 918729

16/7/2015



PRINT



VOLVO
Genuine Parts
PV 233 63480

Fig.	Description	Qty.	PS	Part number
■ 1	Fuel hose LG 900 mm , 240 4DRS CH -466225, 240 5DRS CH -921508.	x		1312257

	Fuel hose LG 500 mm, , 240 4DRS CH 466226-, 240 5DRS CH 921509-	x		1312257
1a	Fuel hose LG 400 mm, , 240 4DRS CH 466226-, 240 5DRS CH 921509-	x		1312257
1b	Hose clamp 240 4DRS CH 466226-, 240 5DRS CH 921509-	2.00		988024
2	Valve 240 4DRS CH 466226-, 240 5DRS CH 921509-	1.00		3507386
2a	• Valve 240 4DRS CH 466226-, 240 5DRS CH 921509-	1.00		3507920
2b	• Cap 240 4DRS CH 466226-, 240 5DRS CH 921509-	1.00		3507998
3	Edge protection moulding LG 95 mm	x		679754
4	Fuel hose LG 800 mm	x		1266500
5	Fuel pipe, return pipe	1.00		3528019
6	Fuel pipe, suction pipe -1990. LG 2822 mm	1.00		1367523
	Fuel pipe, suction pipe 1991-. LG 2912 mm	1.00		3547865
7	Hose, by the meter (1336649) LG 1660 mm	x		976735
8	Cable tie	1.00		948211
9	Pipe LG 4375 mm	x		945460
10	Edge protection moulding	x		679754
11	Clamp	2.00	OP	947684
12	Retainer	5.00		192248
13	Clamp O.DIA 8 mm, 4.7 mm, 4.7 mm	x	OP	1221989
14	Clamp O.DIA 8 mm, 8 mm, 6.4 mm	x		1228898
15	Clamp O.DIA 8 mm, 6.4 mm	x		1221990
16	Clamp O.DIA 6.4 mm	x		951188
	Clamp O.DIA 8 mm	x		951189
17	Clamp	x		1229717
17a	Hose clamp	x		1321719
18	Bushing	x	OP	1325683
19	Washer	x		986477
20	Six point socket screw LG 9.5 mm, , (969473)(960862)	x		986160
	Hexagon screw LG 13 mm	x		190665
	Six point socket screw LG 13 mm, , (955138)	x		986114
	Six point socket screw LG 22 mm, , (960863)	x		986118
	Flange screw LG 25 mm	x		985741
21	Bracket	1.00		1229284
22	Six point socket screw (955138)	2.00		986114

<input type="checkbox"/>	23	Clamp R.H.D	x	947436
<input type="checkbox"/>	24	Flange screw R.H.D	x	985743
<input type="checkbox"/>		Washer R.H.D	x	986500

16/7/2015

PRINT

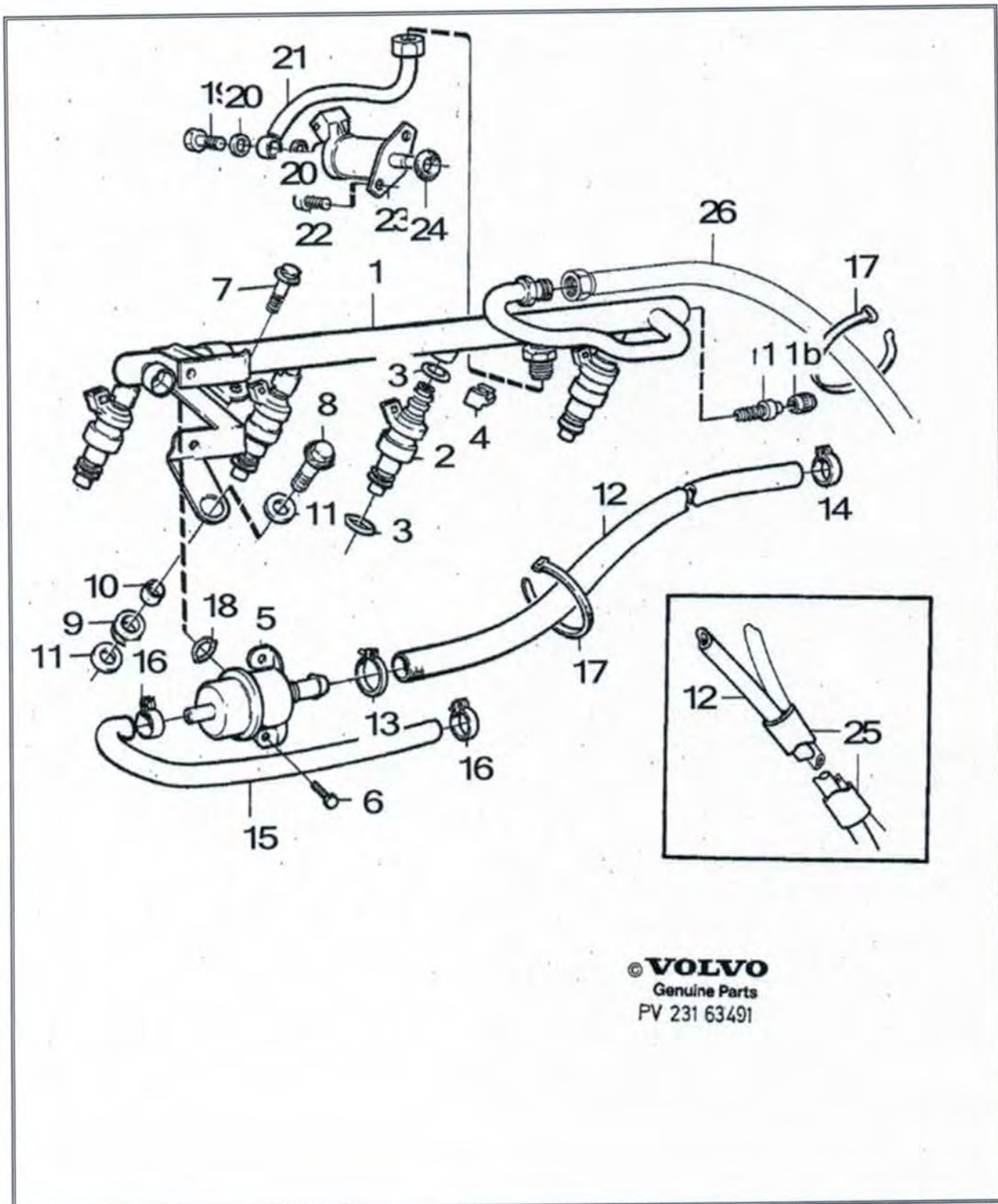
23 : Fuel pressure pipes with fittings B200/230F, B230FD/FX 1991-, B200F



240, 1992, B200F, M47, L.H.D, YV1245273N1918729, 918729

28/7/2015

PRINT



© VOLVO
Genuine Parts
PV 231 63491

Fig. Description

Qty.

PS

Part number

1 Fuel pipe

1.00

OP

3547854

Fuel pipe

1.00

6842429

		(6842434), With service socket-evacuation valve.		
1a	Valve	1.00		3507920
	With service socket-evacuation valve.			
1b	Cap	1.00		3507998
	With service socket-evacuation valve.			
2	Injector	4.00		3517572
3	• O-ring kit	4.00		1346393
	•	0.00		
	Repair kits fuel system			
4	Clamp	4.00		1326062
5	Pressure regulator	1.00		3517064
6	Flange screw	2.00		982754
7	Flange screw	2.00		982757
	(948746)			
8	Flange screw	1.00		982758
	(949845)			
9	Rubber bushing	1.00		1332625
	-1991			
10	Spacer sleeve	1.00		1317007
	-1991			
11	Washer	2.00		1367124
	-1991			
	Washer	3.00		986500
	1992-			
12	Fuel hose	x		1266500
13	Hose clamp	1.00		976576
14	Hose clamp	1.00		1321719
15	Hose, by the meter	x		976734
	(1306703)			
16	Hose clamp	2.00		976573
	(975268)			
17	Cable tie	1.00		948211
18	O-ring	1.00	KN	
	Repair kits fuel system			
19	Hollow screw	1.00		966833
20	Gasket	2.00		947620
21	Fuel pipe	1.00	OP	1317061
22	Screw	2.00		
	Inlet manifold valve housing B200F			
	Screw	2.00		
	Inlet manifold valve housing B230F/FD/FX			
23	Starter valve	1.00		
	Inlet manifold valve housing B200F			
	Starter valve	1.00		
	Inlet manifold valve housing B230F/FD/FX			
24	O-ring	1.00		
	Inlet manifold valve housing B200F			
	O-ring	1.00		
	Inlet manifold valve housing B230F/FD/FX			
25	Hose	x		976739
	LG 500 mm			
26	Fuel line	1.00		
	Fuel lines from tank to engine B200/230E -1990 L.H.D			
	Fuel line	1.00		
	Fuel lines from tank to engine B200/230E -1990 R.H.D			
	Fuel line	1.00		



Fuel lines from tank to engine B200/230E 1991- L.H.D
Fuel line 1.00
Fuel lines from tank to engine B200/230E 1991- R.H.D

28/7/2015

PRINT

23 : Fuel pump with fittings B200F,B230F/FD/FX 1991-, B200F



240, 1992, B200F, M47, YV1245273N1918729, 918729

16/7/2015

PRINT

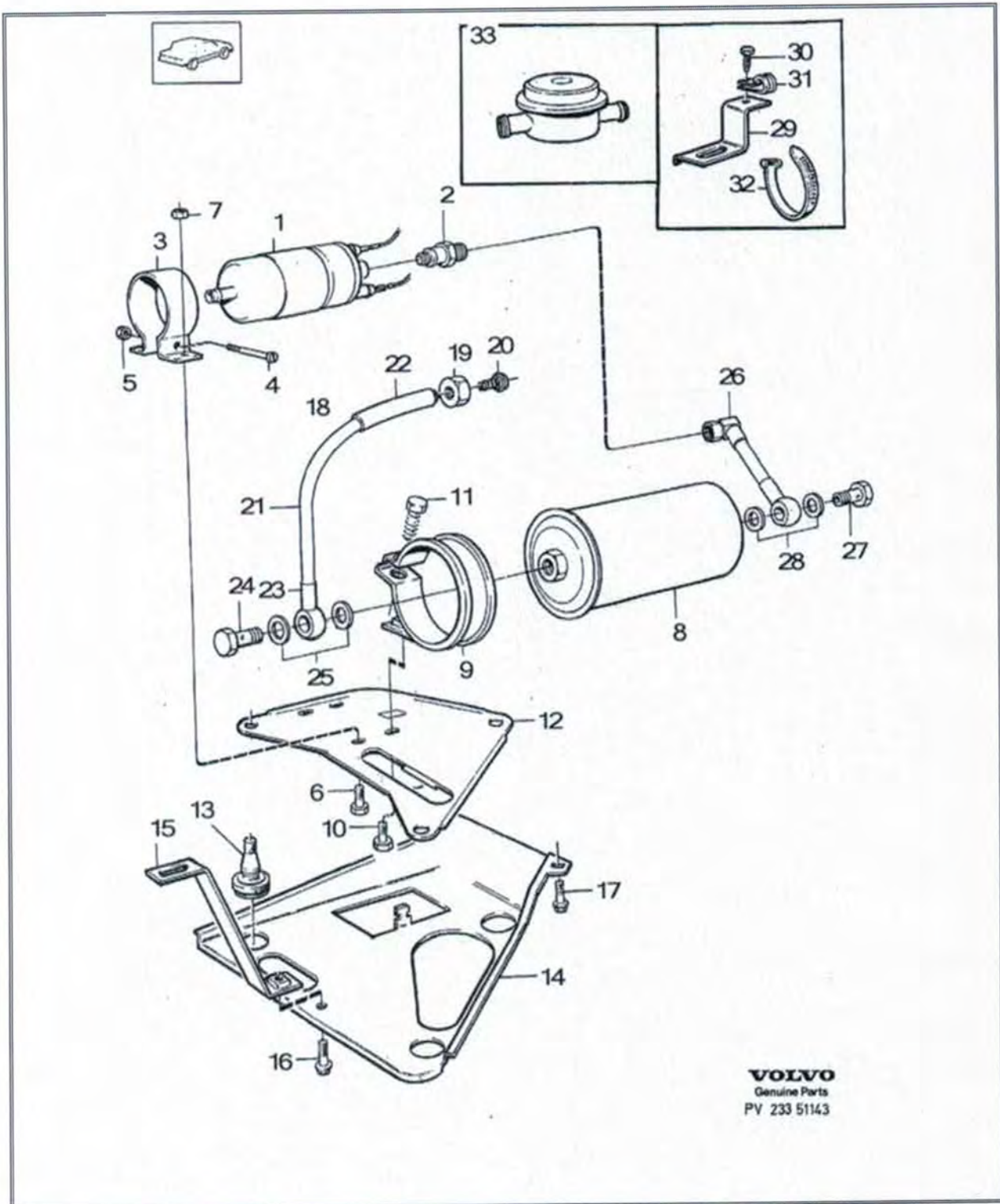


Fig.	Description	Qty.	PS	Part number
■ 1	Fuel pump (1389449)	1.00		9142044

2	Non-return valve	1.00		1326899
3	Clamp	1.00		1321723
4	Six point socket screw (956083)	1.00		986204
5	Nut	1.00		1272073
6	Flange screw	2.00		982755
7	Flange lock nut (946035)	2.00		985866
8	Filter (1389450)	1.00		1389562
9	Clamp (1342867)	1.00		3517129
10	Flange screw (955271)	1.00		982757
11	Flange screw (948746)	1.00		982757
12	Attaching plate	1.00		1312249
13	Rubber cushion	3.00		1255018
14	Bracket	1.00		1254720
15	Stay	1.00		1255042
16	Flange screw	3.00		988177
17	Flange screw	2.00		988177
18	Fuel pipe	1.00		3547865
19	• Fitting nut	1.00		946236
20	• Nipple	1.00		946239
21	• Tube LG 2890 mm	x		946234
22	• Protecting hose LG 925 mm	x		947900
23	• Banjo nipple	1.00	NS	
24	Hollow screw (968178)	1.00		973950
25	Gasket	2.00		947282
26	Fuel pipe	1.00		1312297
27	Hollow screw	1.00		968179
28	Gasket	2.00		947621
29	Bracket	1.00	OP	1255255
30	Flange screw	1.00		985739
	Washer	1.00		986498
31	Clamp I.DIA 17.5 mm	1.00		952630
	Clamp I.DIA 19 mm	1.00		952631
32	Cable tie	2.00		948211
33	Absorber Service alternative.	1.00		1389725

16/7/2015

PRINT

23 : Fuel system B200F, B200F

240, 1992, B200F, M47, L.H.D, YV1245273N1918729, 918729

28/7/2015



PRINT

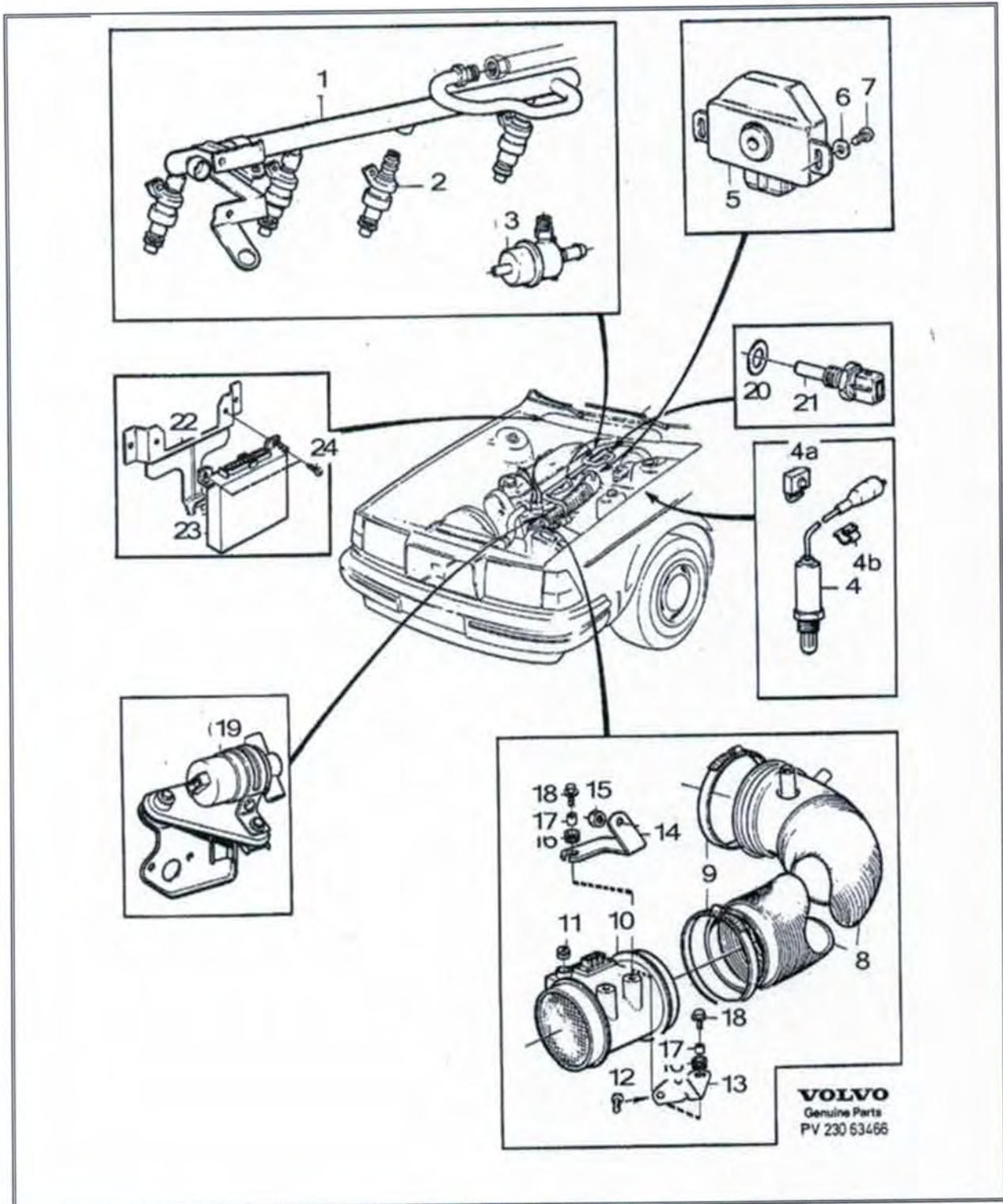


Fig.	Description	Qty.	PS	Part number
1	Fuel pipe Fuel pressure pipes with fittings B200/230F, B230FD/FX 1988 EXC B200F	1.00		

<input type="checkbox"/>	Fuel pipe	1.00		
	Fuel pressure pipes with fittings B200/230F, B230FD/FX 1989-1990			
<input type="checkbox"/>	Fuel pipe	1.00		
	Fuel pressure pipes with fittings B200/230F, B230FD/FX 1991-			
<input type="checkbox"/>	2 Injector	4.00		
	Fuel pressure pipes with fittings B200/230F, B230FD/FX 1988 EXC B200F			
<input type="checkbox"/>	Injector	4.00		
	Fuel pressure pipes with fittings B200/230F, B230FD/FX 1989-1990			
<input type="checkbox"/>	Injector	4.00		
	Fuel pressure pipes with fittings B200/230F, B230FD/FX 1991-			
<input type="checkbox"/>	3 Pressure regulator	1.00		
	Fuel pressure pipes with fittings B200/230F, B230FD/FX 1988 EXC B200F			
<input type="checkbox"/>	Pressure regulator	1.00		
	Fuel pressure pipes with fittings B200/230F, B230FD/FX 1989-1990			
<input type="checkbox"/>	Pressure regulator	1.00		
	Fuel pressure pipes with fittings B200/230F, B230FD/FX 1991-			
<input type="checkbox"/>	4 Lambda sond	1.00		3501753
	EXC B230FD, , 240 4DRS CH 334100-, 240 5DRS CH 809000-			
<input type="checkbox"/>	4a Clip	x		1389747
<input type="checkbox"/>	4b Clamp	1.00		1363147
<input type="checkbox"/>	5 Throttle switch	1.00		3517068
	240 4DRS CH 334100-, 240 5DRS CH 809000-			
<input type="checkbox"/>	6 Washer	2.00		986475
<input type="checkbox"/>	7 Hex. socket screw	2.00		986856
<input type="checkbox"/>	8 Fresh air hose	1.00		1367454
<input type="checkbox"/>	9 Hose clamp	2.00		983597
<input type="checkbox"/>	10 Maf-sensor, exch	1.00	EU	8251497
	240 4DRS CH 334100-, 240 5DRS CH 809000-, , (3517020)			
<input type="checkbox"/>	11 • Plug	1.00		1317751
<input type="checkbox"/>	12 Flange screw (960862)	2.00		985737
<input type="checkbox"/>	13 Bracket -1990	1.00		1317074
<input type="checkbox"/>	14 Bracket 1991-	1.00		3547032
<input type="checkbox"/>	15 Flange nut 1991-	1.00		985857
<input type="checkbox"/>	16 Bushing	1.00	OP	1317011
<input type="checkbox"/>	17 Spacer sleeve	1.00		1317007
<input type="checkbox"/>	18 Flange screw	1.00		985183
<input type="checkbox"/>	19 control slide with fittings	1.00		
	Regulating system fuel supply B230F 240 4DRS CH -334099, 240 5DRS CH -808999.			
<input type="checkbox"/>	control slide with fittings	1.00		
	Regulating system fuel supply B200F,B230F/FX/FD 240 4DRS CH 334100-, 240 5DRS CH 809000-			
<input type="checkbox"/>	20 Gasket	1.00		947282
<input type="checkbox"/>	21 Temperature sensor, coolant	1.00		1346030
	240 4DRS CH 334100-, 240 5DRS CH 809000-			
<input type="checkbox"/>	24 Screw	2.00		
	Regulating system fuel supply B230F 240 4DRS CH -334099, 240 5DRS CH -808999.			
<input type="checkbox"/>	Screw	2.00		
	Regulating system fuel supply B200F,B230F/FX/FD 240 4DRS CH 334100-, 240 5DRS CH 809000-			

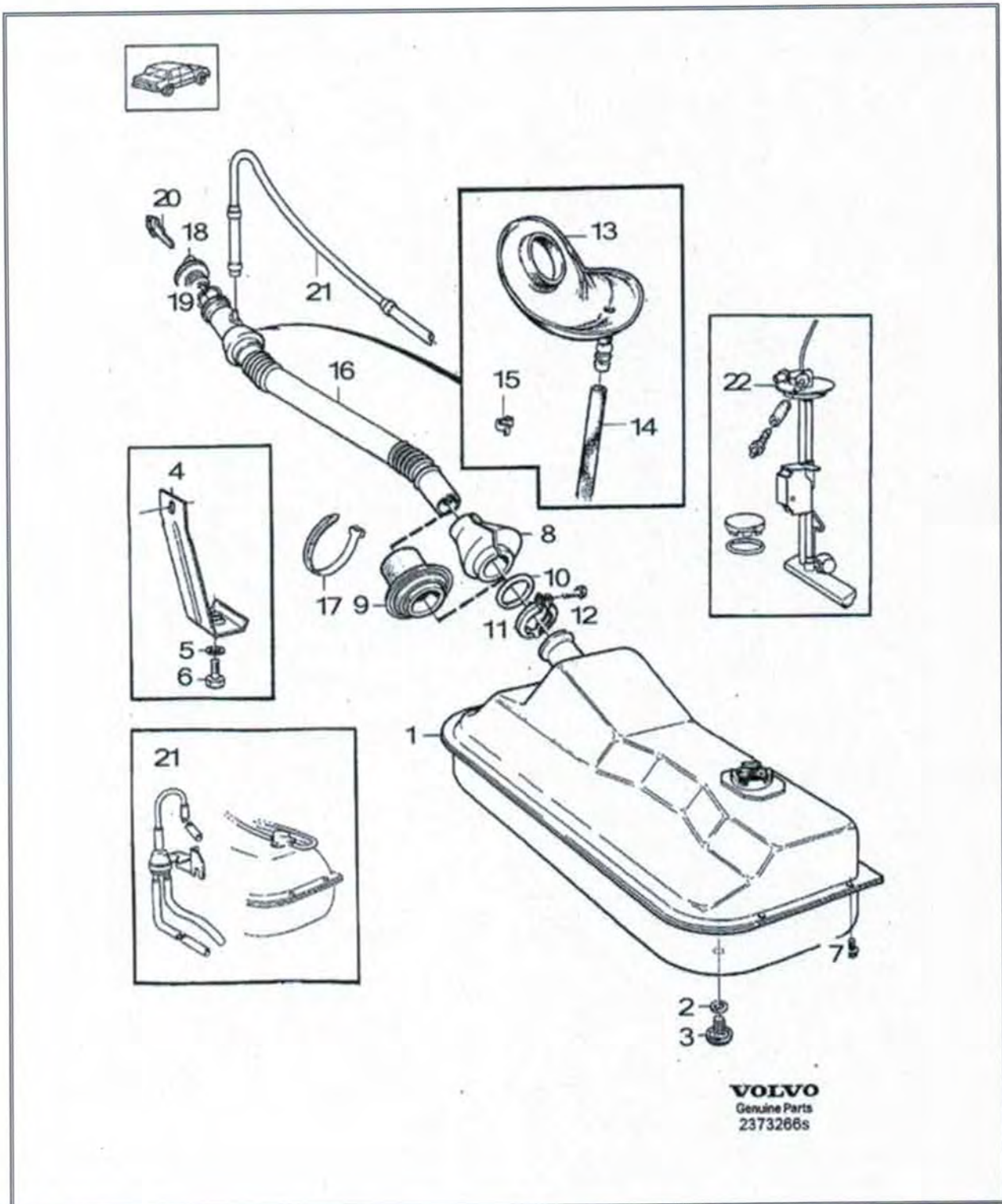
23 : Fuel tank and connecting parts F.I, B200F



240, 1992, B200F, M47, YV1245273N1918729, 918729

16/7/2015

PRINT



VOLVO
Genuine Parts
2373266s

Fig.	Description	Qty.	PS	Part number
■ 1	Fuel tank (3501385)	1.00	OP	3517373
•	Gasket			

2		1.00		1304235
3	• Screw	1.00	OP	1304236
4	Bracket	1.00		1255451
5	Washer	2.00		986483
6	Flange screw -1992	1.00		985191
7	Flange screw -1992	5.00		985191
	Flange screw 1993-	6.00		985191
8	Rubber lip ALTER 1	1.00	OP	1254461
9	Rubber lip ALTER 2	1.00		3507405
10	O-ring	1.00		949282
11	Clamp	1.00		1254606
12	Flange screw (955276)	1.00		982761
13	Rubber lip	1.00		1246522
14	Tube LG 590 mm	x		946234
15	Retaining clip (1312262)	1.00		9151452
16	Filler pipe EXC B230F, B200F	1.00		1254445
	Filler pipe (JP)	1.00		1254445
	Filler pipe B230F, B200F, EXC (JP), Unleaded fuel.	1.00		1254446
17	Cable tie	2.00		948211
18	Fuel filler cap, red, non-lockable REPL 1PCS 9142541-3.	1.00		1325002
	Fuel filler cap, black, non lockable	1.00		9142541
	Fuel filler cap, red, lockable REPL 1PCS 9142606-4.	1.00		1129133
	Fuel filler cap, black, lockable	1.00		9142606
	Fuel filler cap, green, non-lockable REPL 1PCS 9142541-3., Unleaded fuel.	1.00		3514227
	Fuel filler cap, green, lockable REPL 1PCS 9142606-4., Unleaded fuel.	1.00		1394835
19	O-ring	1.00		1304391
20	Key blank	1.00		1304390
21	balancing system for fuel tanks • 4DRS		XX	
	Balancing system for fuel tanks 4DRS			
	• 5DRS		XX	
	Balancing system for fuel tanks 5DRS			
22	tank sender Tank sender F.I			

16/7/2015

PRINT

23 : Injection pump 1257157

240, 1992, B200F, M47, L.H.D, YV1245273N1918729, 918729

28/7/2015



PRINT

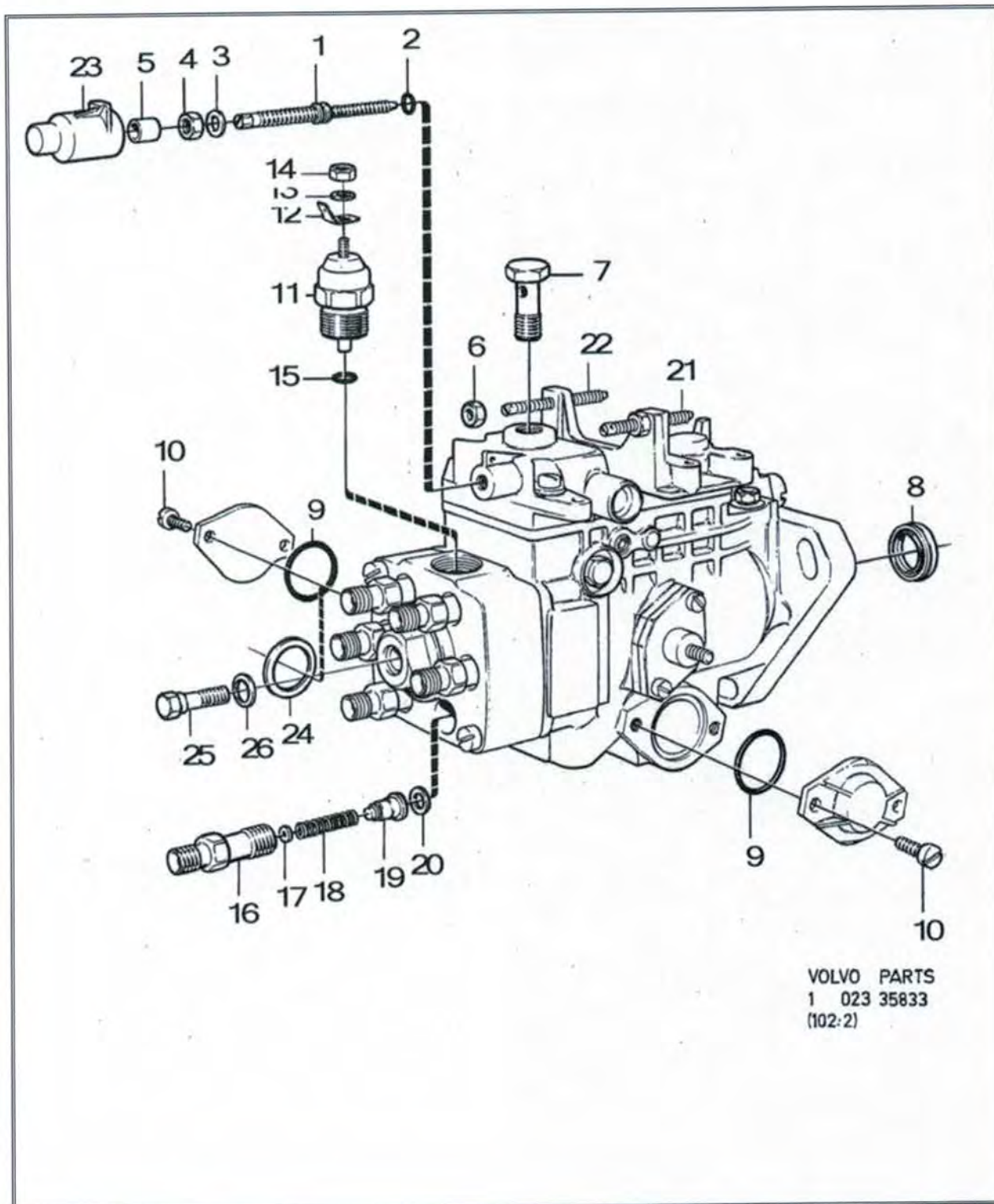


Fig.	Description	Qty.	PS	Part number
1	Adjusting screw LG 26 mm	1.00	OP	1257677
	Adjusting screw	1.00	OP	1257678

	LG 24 mm			
■	Adjusting screw LG 28 mm	1.00	OP	1257679
■	2 O-ring	1.00	OP	844235
■	3 Washer	1.00		986481
■	4 Hexagon nut	1.00		955800
■	5 Spacer sleeve	1.00	OP	844652
■	6 Hexagon nut	2.00		985876
■	7 Hollow screw	1.00		844237
■	8 Sealing ring	1.00		844178
■	9 O-ring	2.00		844176
■	10 Screw M6, LG 18 mm	4.00	NS	
■	11 Solenoid valve	1.00		1257676
■	12 Cable terminal	1.00		942888
■	13 Spring washer	1.00		986650
■	14 Hexagon nut	1.00		985875
■	15 O-ring	1.00		243572
■	16 Delivery valve retainer	6.00		244688
■	17 Washer	6.00	OP	243560
■	18 Compression spring	6.00		238309
■	19 Delivery valve	6.00		1257675
■	20 Sealing washer	6.00		845738
■	21 Set screw, idling	1.00		1277235
■	22 Set screw, max.revs.	1.00		844228
■	23 Sleeve	1.00		1542407
■	24 Adjusting washer, ignition advance	1.00	OP	1257741
■	25 Bleeder screw	1.00		845737
■	26 Gasket	1.00		947620

28/7/2015

PRINT