

27 : Control pulley with fittings B200F,B230F/FD/FX ALT.1, B200F

240, 1992, B200F, M47, L.H.D, YV1245273N1918729, 918729

28/7/2015



PRINT

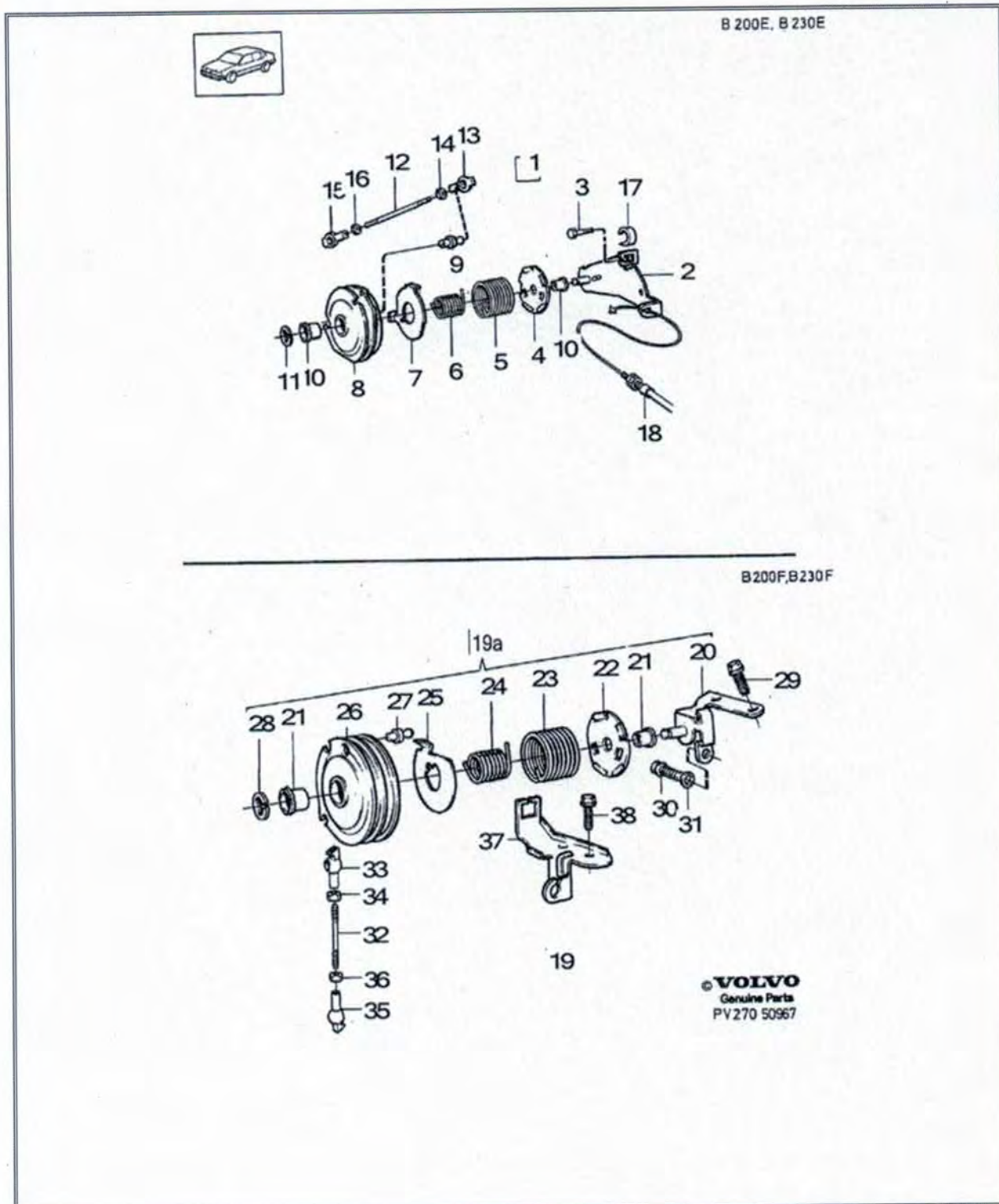


Fig.	Description	Qty.	PS	Part number
19	Control bobbin, complete	1.00	NS	
19a	Throttle control, metal	1.00		1332281

		REPL 1PCS 9135187-4			
		•	Throttle control, plastics	1.00	9135187
	20	••	Bracket	1.00	1332282
	21	••	Bushing	2.00	1276512
	22	••	Spring guide	1.00	1306246
	23	••	Spring	1.00	1306243
	24	••	Spring	1.00	1269342
	25	••	Spring guide	1.00	1306245
	26	••	Control bobbin, metal	1.00	1326345
	27	•••	Ball stud	1.00	OP 1257291
	28	••	E-circlip	1.00	951669
	29	•	Flange screw	2.00	982757
		(948746)			
	30	•	Hexagon screw	1.00	986968
	31	•	Washer	1.00	986478
	32	•	Control rod	1.00	1336156
	33	•	Ball socket	1.00	946703
	34	•	Flange nut	1.00	985857
		(968898)			
	35	•	Ball socket, left-hand thread	1.00	946704
	36	•	Flange nut, left-hand thread	1.00	985896
		(973447)			
	37	•	Bracket	1.00	1332284
	38	•	Hexagon screw	1.00	986964

28/7/2015

PRINT



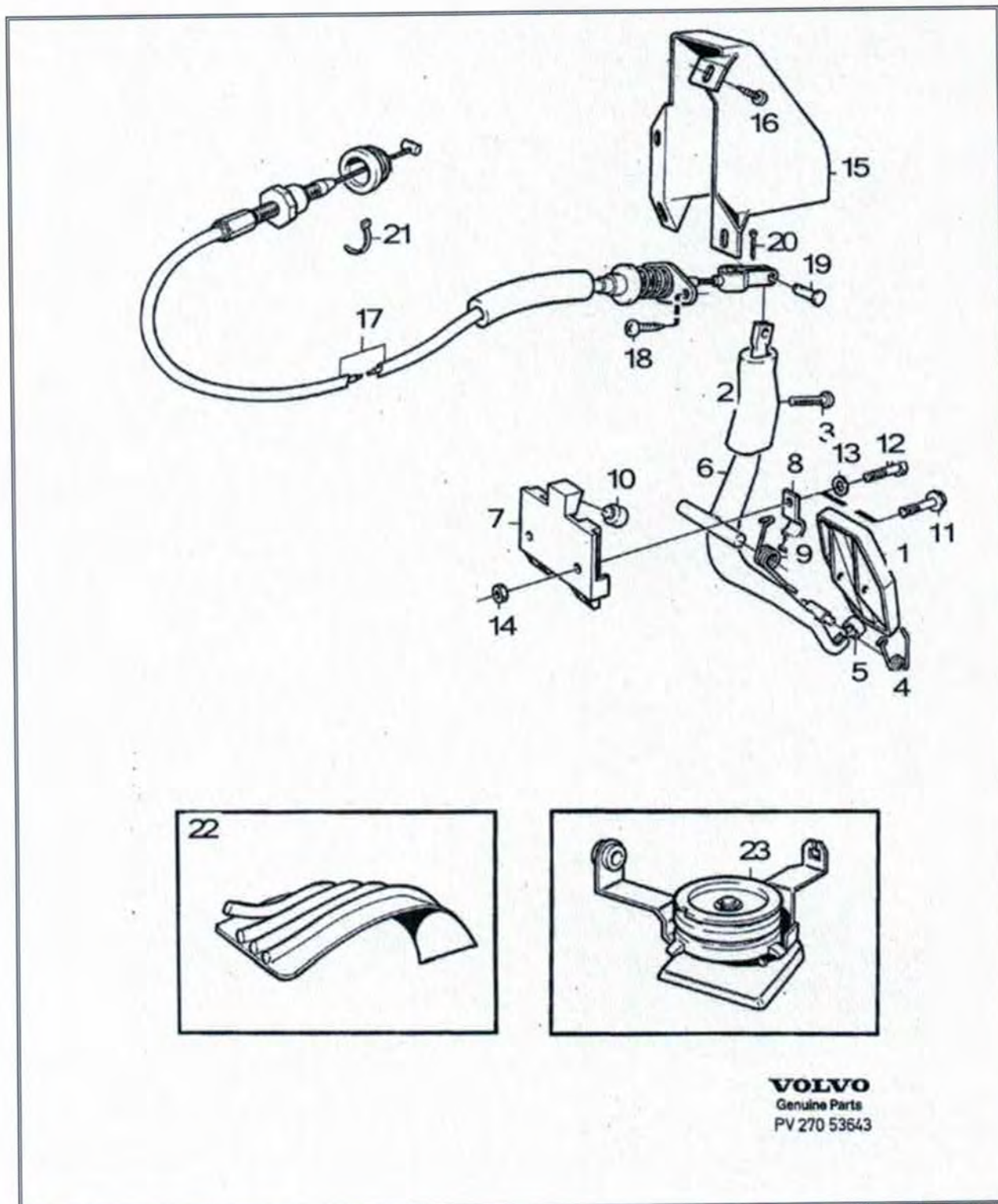
27 : Throttle control B200/230F,B230FD/FX, B200F

240, 1992, B200F, M47, L.H.D, YV1245273N1918729, 918729

28/7/2015



PRINT



**VOLVO**  
Genuine Parts  
PV 270 53643

Fig.	Description	Qty.	PS	Part number
1	Accelerator pedal	1.00		1272606
4	Spring	1.00	OP	1206520
5	Knob	1.00		1221749

6	Intermediate lever -1989 L.H.D	1.00		1229443
	Intermediate lever 1990- L.H.D	1.00		3531191
	Intermediate lever R.H.D	1.00		1229445
7	Bearing	1.00		1330781
8	Cap (1272618)	2.00		6842176
9	Spring	1.00		1205927
10	Buffer	1.00		667751
11	Flange screw L.H.D	2.00		985027
12	Hexagon screw R.H.D	2.00		986969
13	Washer R.H.D	2.00		986478
14	Flange lock nut R.H.D	2.00		985866
15	Cover (1234415)	1.00		3536068
16	Six point socket screw (969473)(946451)	3.00		986160
17	Throttle control cable L.H.D	1.00		1389722
	Throttle control cable R.H.D	1.00	OP	1389096
18	Six point socket screw (955141)	2.00		986116
19	Bolt	1.00		952704
20	Split pin	1.00		907824
21	Cable tie	1.00		948211
22	Sealing strip	x	OP	591279
	Control bobbin			
23	B200K, B230K Control pulley with fittings B200K, B230K		XX	
	B200/230E/F, B230FD/FX Control pulley with fittings B200E,B230E		XX	
	B200/230E/F, B230FD/FX Control pulley with fittings B200F,B230F/FD/FX ALT.1		XX	
	B200/230E/F, B230FD/FX Control pulley with fittings B200F,B230F/FD/FX ALT.2		XX	
	D24 Control pulley with fittings D24		XX	

28/7/2015

PRINT